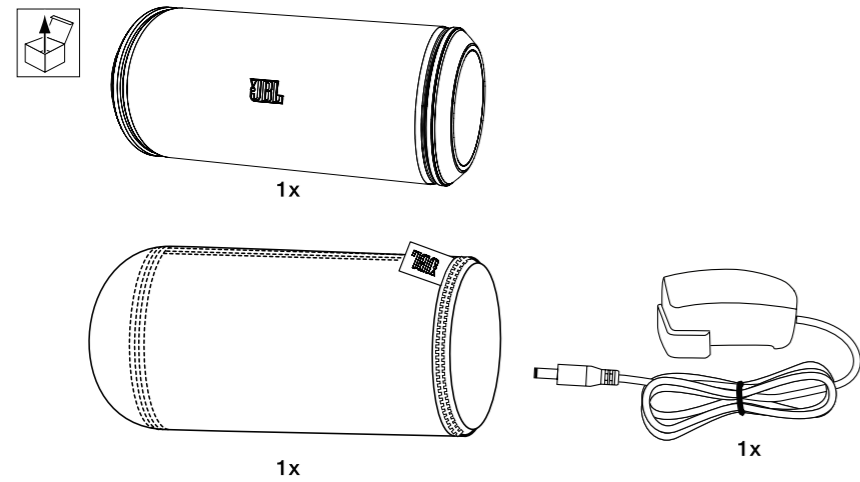


JBL® FLIP OWNER'S MANUAL



Este equipamento opera em caráter secundário, isto é, não tem direito a proteção contra interferência prejudicial, mesmo de estações do mesmo tipo, e não pode causar interferência a sistemas operando em caráter primário.”

Este produto está homologado pela ANATEL, de acordo com os procedimentos regulamentados pela Resolução 242/2000, e atende aos requisitos técnicos aplicados.

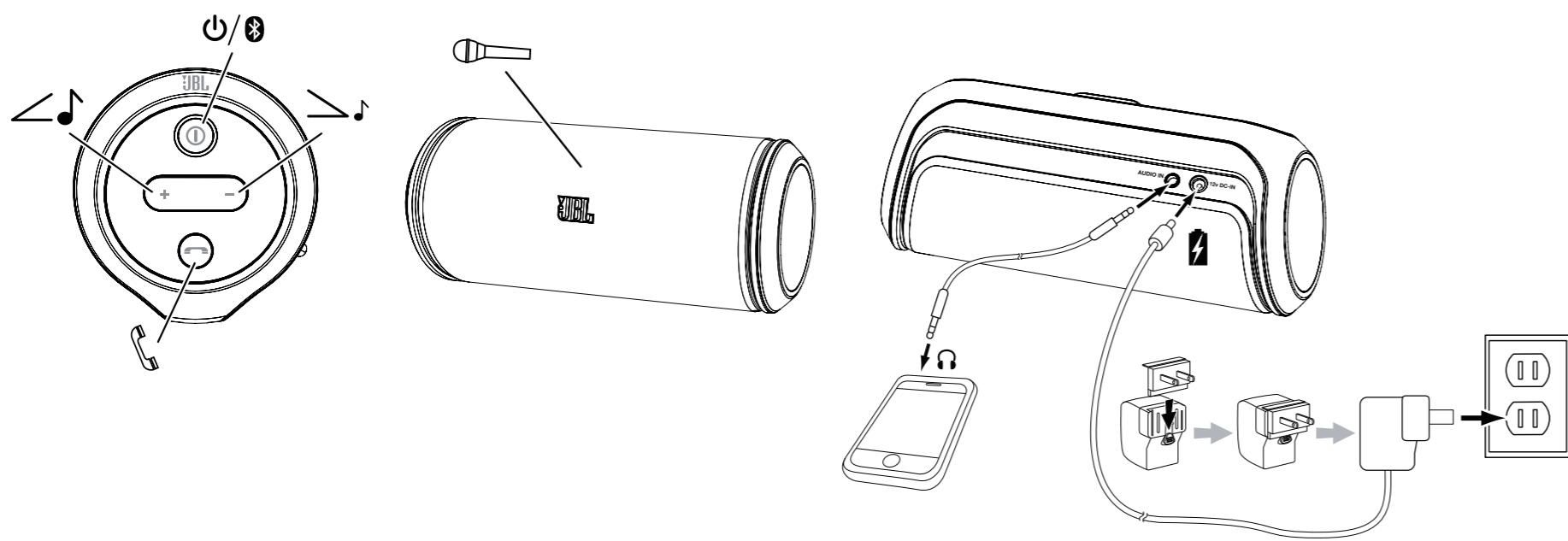
Para maiores informações, consulte o site da ANATEL – www.anatel.gov.br



32777-12-8444

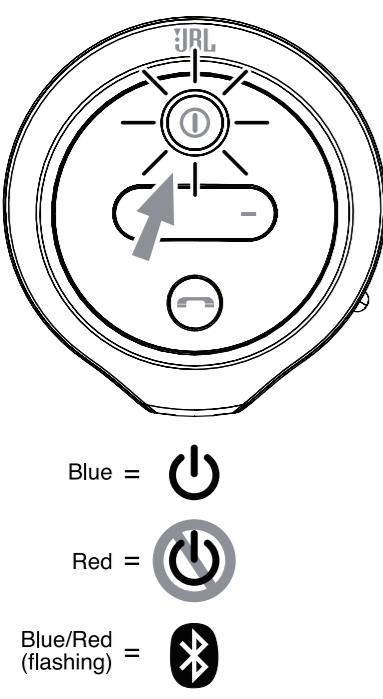
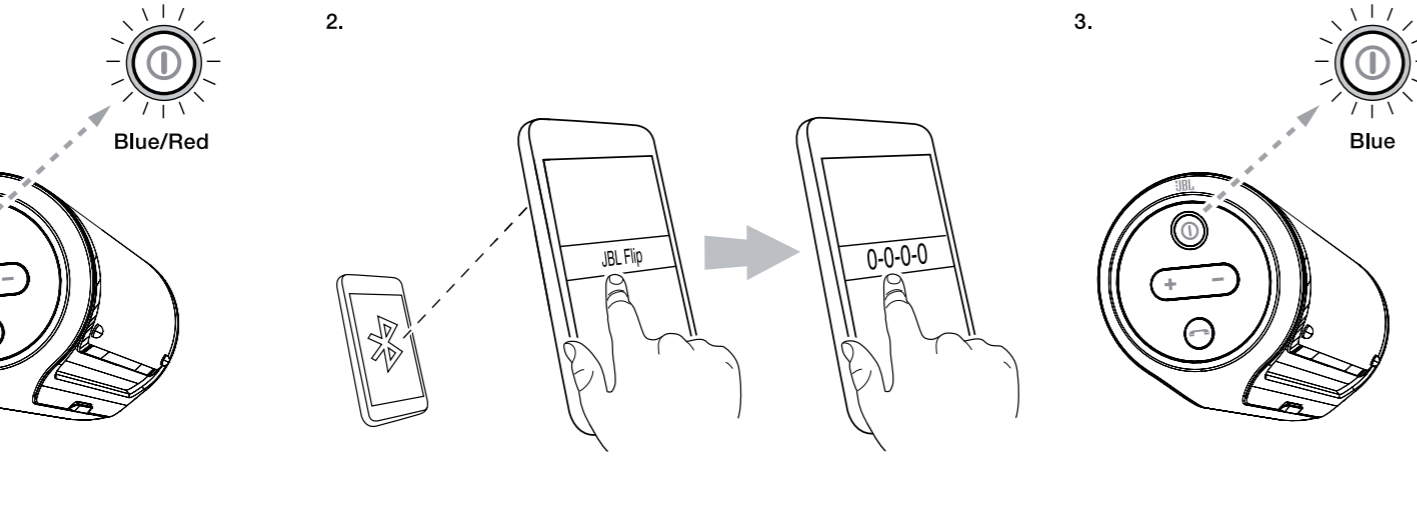


(01) 07896359524556



Bluetooth™

1. Press and hold for 3 seconds
 Entoncez et maintenez pendant 3 secondes
 Premlere e tenere premuto per 3 secondi
 3 Sekunden lang drücken und halten
 Mantener pulsado durante 3 segundos
 3 seconden ingedrukt houden
 Mäntenhi painonädä por 3 segundoss
 Trykk og håll nedtrykt i tre sekunder
 Tryk på knappen, og hold den nede i 3 sekunder
 Paina ja pidä alhaalla 3 sekuntia
 Tryk og hold inne i 3 sekunder
 Нахитте и удэржывайте в течение 3 секунд
 3秒 常ん 押し 続け ます
 3 秒間押したままにしてください。



Power	Red	Blue/Red (flashing)
Bleu	Rouge	Bleu (clignotant)
Azul	Rojo	Azul (intermitente)
Azul	Vermelha	Azul (piscando)
Blaauw	Rot	Blaauw (blinken)
Blå	Rosso	Blå (lampegljante)
Blaauw	Rood	Blaauw (knipperen)
Blaå	Röd	Blaå (blinkende)
Sininen	Punainen	Sininen (vlkkuu)
Blaått	Rött	Blaått (blinkande)
Blaå	Röd	Blaå (blinkende)
Синий	Красный	Синий (мигающий)
靑	赤	靑 (点滅する)
파란색	빨간색	파란색 (점멸)

PHONE BUTTON OPERATION

CONDITION	SHORT PRESS	LONG PRESS
	No Call	N/A
Dialing Outgoing Calls	Hang Up	Hang Up
Incoming Call #1	Answer Call	Reject Call
During Call	Hang Up	Switch Call from Flip to Phone
Incoming Call #2	Put Call #1 on Hold; Answer Call #2	Reject Call #2
Calls #1 and #2 Both Active	Hang Up Current Call; Switch to Other Call	Switch Between Call #1 and Call #2

SPECIFICATIONS

Transducers:	2 x 1-1/2" (38mm)
Amplifier power:	2 x 5W
Frequency response:	150Hz – 20kHz
Signal-to-noise ratio:	>80dB
Battery type:	Li-ion rechargeable
Bluetooth transmitter frequency range:	2,402 – 2,480GHz
Bluetooth transmitter power:	0 – 4dBm
Bluetooth transmitter modulation:	GFSK
Listening time on battery power:	Up to 5 hours (varies by volume level and audio content)
Battery charge time:	3 hours
Dimensions (Dia x H):	63mm x 160mm (2-7/16" x 6-5/16")

SPECIFICATIONS

Transducteurs :	2 x 1-1/2" (38mm)
Puissance d'amplificateur :	2 x 5W
Courbe de résonance :	150Hz – 20kHz
Rapport signal sur bruit :	>80dB
Type de batterie :	Li-ion rechargeable
Plage de fréquence de l'émetteur Bluetooth :	2,402 – 2,480GHz
Puissance de l'émetteur Bluetooth :	0 – 4dBm
Modulation de l'émetteur Bluetooth :	GFSK
Autonomie d'écoute :	Jusqu'à 5 heures (en fonction du niveau du volume et du contenu audio)
Durée de charge :	3 heures
Dimensions (Dia x H) :	63mm x 160mm (2-7/16" po x 6-5/16" po)

SPECIFICHE

Trasduttori:	2 x 1-1/2" (38mm)
Potenza amplificatore:	2 x 5W
Risposta in frequenza:	150Hz – 20kHz
Rapporto segnale-rumore:	>80dB
Tipo batteria:	Ioni di litio ricaricabile
Intervallo di frequenza trasmettitore Bluetooth:	2,402 - 2,480GHz
Alimentazione trasmettitore Bluetooth:	0 - 4dBm
Modulazione trasmettitore Bluetooth:	GFSK
Tempo di ascolto con batteria:	Fino a 5 ore (varia a seconda del livello del volume e del contenuto audio)
Tempo di ricarica della batteria:	3 ore
Dimensioni (diam x A):	63mm x 160mm (2-7/16" po x 6-5/16" po)

SPECIFICATIES

Omvormers:	2 x 38mm
Versterkervermogen:	2 x 5W
Frequentieergave:	150Hz – 20kHz
Signaal-ruisverhouding:	>80dB
Type batterij:	Li-ion oplaadbare
Bluetooth zender frequentiebereik:	2,402 – 2,480GHz
Vermogen van de Bluetooth zender:	0 – 4dBm
Bluetooth zendermodulatie:	GFSK
Luistertijd voor batterij:	Tot 5 uur (verschilt per volume en audio-inhoud)
Oplaadtijd voor batterij:	3 uur
Afmetingen (Diameter x Hoogte):	63mm x 160mm (2-7/16" x 6-5/16")

SPECIFIKATIONER

Omformlere:	2 x 38mm
Förstärkereffekt:	2 x 5W
Frekvensåtergivning:	150Hz – 20kHz
Signalbrusförhållande:	>80dB
Batterityp:	Litiumjon
Bluetooth-sändarens frekvensområde:	2,402 – 2,480GHz
Bluetooth-sändareffekt:	0 – 4dBm
Bluetooth-sändarmodulering:	GFSK
Lysningstid med batteri:	Op till 5 timmar (berorende på volym och ljudinnehåll)
Batteriladdningstid:	3 timmar
Mått (diameter x höjd):	63mm x 160mm

ESPECIFICACIONES

Transductores:	2 x 1-1/2" (38mm)
Potencia de amplificador:	2 x 5W
Respuesta en frecuencia:	150Hz – 20kHz
Relación señal/ruido:	>80dB
Tipo de pila:	Litio-ion recargable
Rango de frecuencia del transmisor Bluetooth:	2,402 – 2,480GHz
Potencia del transmisor Bluetooth:	0 – 4dBm
Modulación del transmisor Bluetooth:	GFSK
Tiempo de escucha a pilas:	Hasta 5 horas (varía con el nivel de volumen y el contenido de audio)
Tiempo de carga de la pila:	3 horas
Dimensiones (Diámetro x Altura):	63mm x 160mm (2-7/16" x 6-5/16")

仕様

トランスデューサー:	38mm 2個
アンプ出力:	2 x 5W
周波数帯域:	150Hz – 20kHz
信号対雑音比 (SN比):	80dB未満
電池タイプ:	リチウムイオン再充電可能な
Bluetoothトランスミッターの周波数帯域:	2,402 - 2,480GHz
Bluetoothトランスミッターの電圧:	0 - 4dBm
Bluetoothトランスミッターの変調方式:	GFSK
電池使用時の可聴時間:	最大5時間まで (音量および音声内容により異なる)
電池充電時間:	3時間
寸法 (直径×高さ):	63mm x 160mm (2-7/16インチ x 6-5/16インチ)

SPEFIFIKASJONER

Omformere:	2 x 1-1/2" (38mm)
Forsterkereffekt:	2 x 5W
Frekvensrespons:	150Hz – 20kHz
Signal-til-støyst-forhold:	>80dB
Batteritype:	Li-ion oppladdelege
Bluetooth-senders frekvensområde:	2,402 – 2,480GHz
Bluetooth-senders effekt:	0 – 4dBm
Bluetooth-senders effekt:	GFSK
Lyttetid på batteristrom:	Opptil 5 timer (avhenger etter volum og lydinnhold)
Batteriladetid:	3 time
Dimensjoner (D x H):	63mm x 160mm (2-7/16" x 6-5/16")

SPECIFIKATIONER

Transducere:	2 x 1-1/2" (38mm)
Forsterkerstrøm:	2 x 5W
Frekvenssvar:	150Hz – 20kHz
Signal-til-støyst-forhold:	>80dB
Batteri-type:	Li-ion oppladbart
Bluetooth-sender:	2,402 – 2,480GHz
Bluetooth-sendereffekt:	0 – 4dBm
Bluetooth-sendermodulering:	GFSK
Lyttetid på batteristrom:	Op til 5 timer (afhenger af lydsterkeiveau og lydindhold)
Batteri-opladetid:	3 time
Dimensioner (Dia. x H):	63mm x 160mm (2-7/16" tommer x 6-5/16" tommer)

ESPECIFICAÇÕES

Transdutores:	2 x 1-1/2" (38mm)
Potência do amplificador:	2 x 5W
Resposta de frequência:	150Hz – 20kHz
Relação sinal/ruido:	>80dB
Tipo da bateria:	Íon-lítio recarregável
Intervalo de frequência do transmissor Bluetooth:	2,402 – 2,480GHz
Potência do transmissor Bluetooth:	0 – 4dBm
Modulação do transmissor Bluetooth:	GFSK
Tempo de reprodução com energia da bateria:	Até 5 horas (varia com o volume e com o sinal e áudio)
Tempo de carga da bateria:	32 horas
Dimensões (Diâm. x A):	63mm x 160mm (2-7/16" x 6-5/16")

시상

트랜스듀서:	38mm 2개
엠프 출력:	2 x 5W
주파수 응답 대역:	150Hz – 20kHz
신호대 잡음 비율:	80dB 이상
배터리 타입:	리튬-이온 충전식
블루투스 송수신기 주파수 대역:	2,402 – 2,480GHz
블루투스 송수신기 전압:	0 – 4dBm
블루투스 송수신기 변조:	GFSK
배터리 사용시간:	최대 5 시간 (음량 레벨 및 오디오 콘텐츠에 따라 다름)
배터리 충전시간:	3 시간
규격 (직경 x 높이):	63mm x 160mm (2-7/16" x 6-5/16")

TEKNISET TIEDOT

Anturit:	2 x 1-1/2" (38mm)
Vahvistinteho:	2 x 5W
Taajuusvaste:	150Hz – 20kHz
Äänentoisto:	>80dB
Paristo:	Li-ion
Bluetooth-lähetimen taajuusalue:	2,402 – 2,480GHz
Bluetooth-lähetimen teho:	0 – 4dBm
Bluetooth-lähetimen modulaatio:	GFSK
Kuunteluaika paristokäytöllä:	Korkeintaan 5 tuntia (vaihtelee äänenvoimakkuuden ja audiosisällön mukaan)
Pariston latausaika:	3 tuntia
Mitat (Halk. x K):	63mm x 160mm (2-7/16" tuumaa x 6-5/16" tuumaa)

ТЕХНИЧЕСКИЕ ХАРАКТЕРИСТИКИ

Динамики:	2 x 1-1/2" (38mm)
Мощность усилителя:	2 x 5Вт
Частотная характеристика:	150Гц – 20кГц
Отношение сигнал/шум:	>80дБ
Тип аккумулятора:	Литий-ионный перезаряжаемый
Диапазон частот передатчика Bluetooth:	2,402 – 2,480GHz
Мощность передатчика Bluetooth:	0 – 4dBm
Модуляция передатчика Bluetooth:	GFSK
Время звучания от аккумулятора:	До 5 часов (в зависимости от уровня громкости и типа аудио)
Время зарядки аккумулятора:	3 часа
Размеры (Диаметр x B):	63mm x 160mm (2-7/16" x 6-5/16")



HARMAN International Industries, Incorporated
 8500 Balboa Boulevard, Northridge,
 CA 91329 USA
 www.jbl.com
 © 2012 HARMAN International Industries, Incorporated. All rights reserved.
 JBL is a trademark of HARMAN International Industries, Incorporated,
 registered in the United States and/or other countries. The Bluetooth word
 mark and logos are owned by the Bluetooth SIG, Inc. and any use of such
 marks by HARMAN International Industries, Incorporated is under license.
 Features, specifications and appearance are subject to change without notice.
 Part #: 950-0474-001 Rev. A